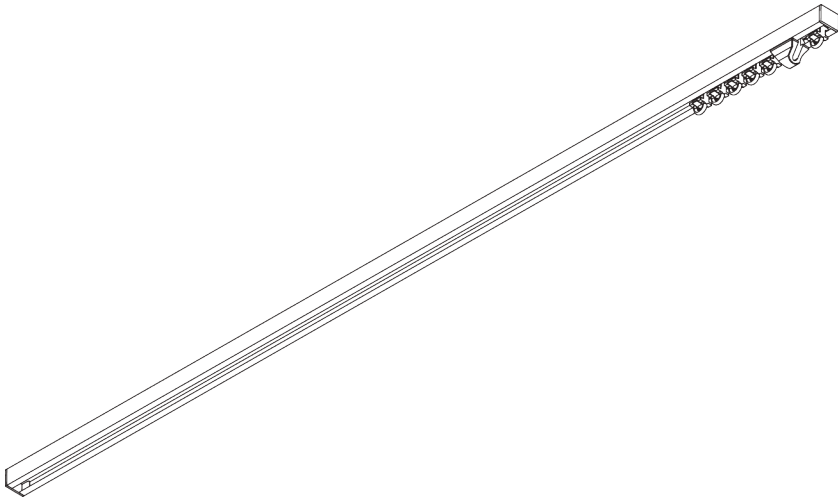


SG 6465



PRODUCT INFORMATION

- **Operation:** hand
- **Range:** S - M
- **Fitting:** ceiling, recess
- **Colours:** white RAL 9016, black RAL 9005 or anodised aluminum, special colours possible (recess profile only in white RAL 9016, black RAL 9005 or special color)
- **Fabrics:** refer to Silent Gliss fabric collection

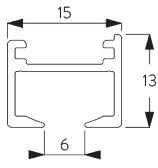
Features:

- 2-component (2C) glider technology
- Wave (2C)
- Bendable
- Bendable recess profile

SYSTEM SPECIFICATIONS


A. PROFILE

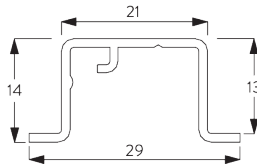
Profile and bending information



SG 6466

Profile

Radius:
 8 cm, 12 cm, 16 cm,
 >25 cm

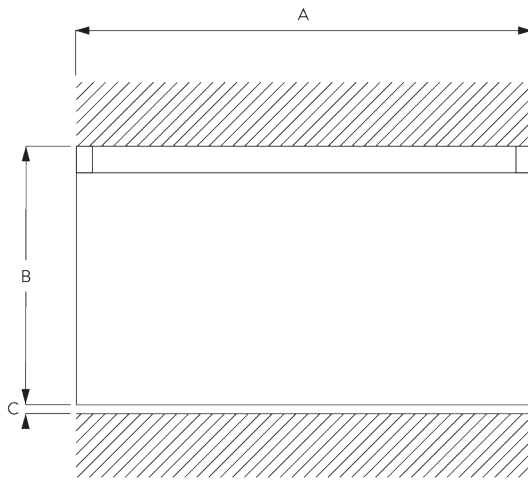


SG 11231

Recess profile

Radius:
 >27 cm

B. HOW TO MEASURE



A: System width
 B: System height
 C: Distance between floor and fabric

C. SPECIFICATION

TEXT

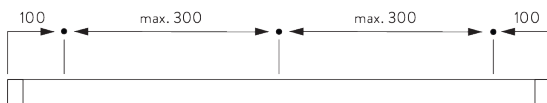
Silent Gliss SG 6465 Hand Operated Curtain Track System. Comprises aluminium profile SG 6466 supplied made to measure powder coated in white / black with 2C gliders SG 11300 at 14/m. Top fix with clamp SG 3060. Recess fix with optional recess profile SG 11231. Silent Gliss Wave option is available using 60mm glider cord SG 11303 / 80mm glider cord SG 11302.

FITTING

A. FITTING INFORMATION

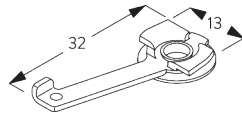
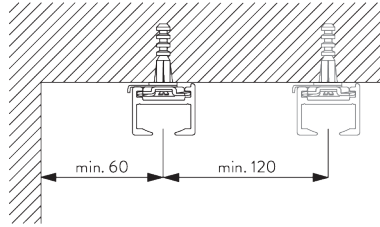
Fixing points

For detailed fitting information, visit the [Silent Gliss website](#).



B. CEILING FITTING

Clamp SG 3060

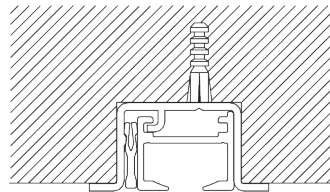


SG 3060

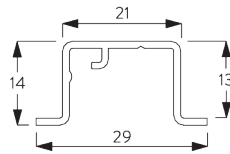
Clamp

C. RECESS FITTING

Recess profile SG 11231

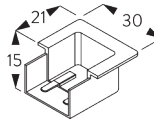


One wedge SG 11237 per fixing point.
For detailed recess fitting, visit the Silent Gliss website.



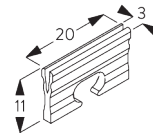
SG 11231

Recess profile



SG 11239

Recess Mask

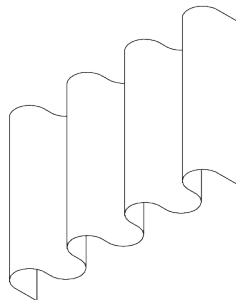


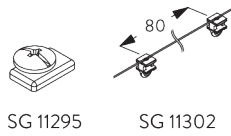
SG 11237

Wedge

SYSTEM OPTIONS

A. WAVE



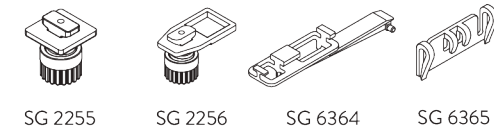


SG 11295

SG 11302

Standard components:

- SG 11295 End stop
- SG 11302 Wave 2C glider cord 80 mm



SG 2255

SG 2256

SG 6364

SG 6365

Optional components (min. radius >25 cm):

- SG 2255 Brake
- SG 2256 Brake
- SG 6364 Wave extension
- SG 6365 Wave hanger
- SG 6366 Wave carrier for draw rod
- SG 10430-34 Draw rod
- SG 11303 Wave 2C glider cord 60 mm



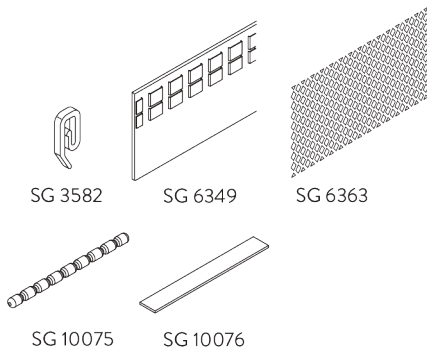
SG 6366

SG 10430-34

SG 11303

Curtain components:

- SG 3582 Hook
- SG 6349 Wave curtain tape
- SG 6363 Wave top hemming tape
- SG 10075 Lead weight 50 gr/m
- SG 10076 Fabric weight



SG 3582

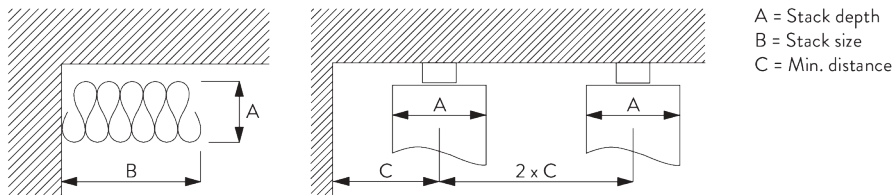
SG 6349

SG 6363

SG 10075

SG 10076

Wave stack depth - 2C glider cord (standard components)



A = Stack depth
B = Stack size
C = Min. distance

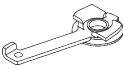

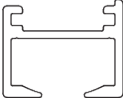
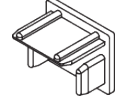
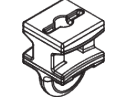
2C Glider cord SG 11302	Pockets between hooks	Approx. curtain fullness	Stack depth A	Stack size B*	Min distance C
80	6	~2.1	140	180 per metre of track	90
80	7	~2.3	160	180 per metre of track	100

2C Glider cord SG 11303	Pockets between hooks	Approx. curtain fullness	Stack depth A	Stack size B*	Min distance C
60	4	~2.1	100	230 per metre of track	70
60	5	~2.3	120	230 per metre of track	80

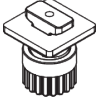
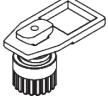





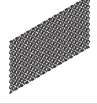
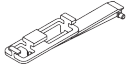
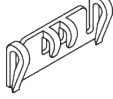
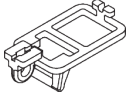



*Stack size B when using optional extension arm SG 6364 increases by 95 mm per curtain stack!

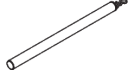
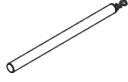
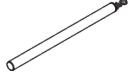
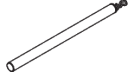

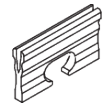
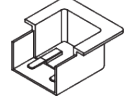
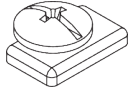

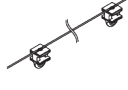

PARTS

A. STANDARD PARTS

	SG 3060 Clamp
	SG 6065 End stop
	SG 6466 Profile
	SG 6471 End cover
	SG 11300 2C glider

B. OPTIONAL PARTS

	SG 2255 Brake
	SG 2256 Brake
	SG 3062 Connection bridge
	SG 3582 Hook
	SG 3599 Hook
	SG 6064 End stop
	SG 6349 Wave curtain tape
	SG 6363 Wave top hemming tape
	SG 6364 Wave extension
	SG 6365 Wave hanger
	SG 6366 Wave carrier for draw rod
	SG 10075 Lead weight 50 g/m
	SG 10076 Fabric weight
	SG 10430 Draw rod 50 cm

	SG 10431 Draw rod 75 cm
	SG 10432 Draw rod 100 cm
	SG 10433 Draw rod 125 cm
	SG 10434 Draw rod 150 cm
	SG 11231 Recess profile
	SG 11237 Wedge
	SG 11239 Recess Mask
	SG 11295 End stop
	SG 11301 2C glider on strip
	SG 11302 Wave 2C glider cord 80 mm
	SG 11303 Wave 2C glider cord 60 mm

