

PRODUCT INNOVATION

₣/2025

Outdoor Living ▶ Patio awnings ▶ Cassette awnings Terrea

Cassette awning Terrea K55

Technical data

Der SonnenLichtManager





Technical data

Valid from 11.2025

The publication of this document supersedes all previous documents. The most current version of our General Terms and Conditions can be viewed at www.warema.de/agb.

We would be happy to provide our information in printed form. Please note that in the event of updates, the online version is binding. Particular care was taken in producing the text and graphics in this documentation. However, no liability can be accepted for any (printing) errors, mistakes, or their consequences that may still exist. Changes and deviations from the technical specifications and product presentations are possible as a result of the individual structural conditions.

Our products are individual or made-to-measure items and therefore cannot be exchanged or returned.

Safety instructions

For detailed information, please see the corresponding technical data or the installation and operating instructions.

© Copyright 2025 / Copyright notice

All contents of this publication, particularly texts, photographs and graphics, are protected by copyright. Unless expressly stated otherwise, the copyright is held by WAREMA. All rights reserved.

WAREMA and the WAREMA logo are trademarks of WAREMA Renkhoff SE. Other logos used here are brands or trademarks of their respective owners.

Issued by

WAREMA Renkhoff SE
Hans-Wilhelm-Renkhoff-Str. 2
97828 Marktheidenfeld, Germany

Registered office: Marktheidenfeld
Register Court: Würzburg HRB 4528

Supervisory Board

Manfred E. Neubert (chair)

Executive Board

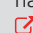
Angeliqe Renkhoff-Mücke (chair),
Michael Müller, Christian Steinberg, Steffen Konrad

VAT registration no.

VAT registration no.: DE 811240418
WEEE registration no.: DE 22907310



On behalf of the following
national companies:

 www.warema.com/country

Help with planning and ordering

myWAREMA – sun shading planning made easy

Your contact person in the myWAREMA help centre

Here you will find your personal contact person and relevant user documentation.

my.warema.com/news?helpCenter=contacts

Sales documents in myWAREMA

We support you with technical documentation, price lists, and product brochures available for download.

my.warema.com/sales-information-documents

Registration in myWAREMA

Register as a customer and enjoy the benefits of quotation creation, planning and ordering directly in myWAREMA.

www.mywarema.com



Free digital planning tools

Use our innovative myWAREMA planning tools to implement your sun shading project more precisely, quickly, and efficiently.

<https://my.warema.com/planning>



Download technical drawings

Download your desired drawings: in the digital version of this document, start the download by clicking on the PDF or DWG symbol.

[PDF](#) [DWG](#)



WAREMA New products

Cassette awning Terrea K55

Product description

Terrea K55 is more than just an awning. With its harmonious combination of straight and curved shapes, it is ideal for cubic-modern or flowing-playful architectural styles. It can be discreetly integrated or deliberately accentuated. Whether for new buildings or modernisations – Terrea K55 offers the freedom to realise your personal style.



Product highlights

- LED lighting integrated in the base profile – can be used even when retracted
- Integrated LED strips in the cassette – for atmospheric lighting accents through direct and indirect lighting
- Valance roller blind with crank
- Wide range of designs from the WAREMA awnings SPECTRUM collection
- Powder coated in accordance with the WAREMA Colour World
- Dimmable design radiant heater
- Integrated drainage gutter in the front rail (note rainwater class)



Further information

Technical data Patio awnings

<https://sls.warema.com/514652ENINT>



Order here

www.mywarema.com



Articulated arm/cassette awnings Terrea

Cassette awning Terrea K55

All-rounder

The harmonious combination of straight and round shapes allows the K55 to look its best on any facade type.

Stylish

Awarded the Best of Design Award 2024, the K55 is setting new standards in design.

Light source

The dimmable LED strips enable large-scale lighting. They can be used either on the underside or inside the cassette.



Order here

myWAREMA

🔗 Art.-Nr. 2073605

Construction limit values

Maximum order width	6000 mm
Maximum projection	3500 mm

Components

Cassette awning Terrea K55



- 1 Cassette
- 2 Shaft
- 3 Fabric bearing shell
- 4 Console

- 5 Awning fabric
- 6 Articulated arm
- 7 Front rail

Cassette

Cassette - K55

Material	Aluminium, extruded
Surface	Powder-coated
Width	260 mm
Height	130 mm

+ Side cover

Cassette side cover - K55

Material	Aluminium
Surface	Powder-coated

Shaft

Fabric shaft Ø 78 mm

Material	Galvanised steel
Surface	Plain
Profile	Groove tube
Diameter	78 mm

Fabric bearing shell

Fabric bearing shell - K55

Material	Aluminium, extruded
Surface	Powder-coated

Front rail

Front rail - K55

Material	Aluminium, extruded
Surface	Powder-coated
Width	138 mm
Height	130 mm

+ Side cover

Front rail side cover - K55

Material	Aluminium
Surface	Powder-coated

Articulated arm

Articulated arm - K55

+ Articulated arm profile

Articulated arm profile, front, 33x61 mm

Material	Aluminium, extruded
Surface	Powder-coated
Width	33 mm
Height	61 mm

Articulated arm profile, rear, 35x68 mm

Material	Aluminium, extruded
Surface	Powder-coated
Width	35 mm
Height	68 mm

+ Articulated arm seat

Tilting joint - K55

Material	Aluminium, extruded
Surface	Powder-coated

+ Power transmission

- Steel cable
- Link chain

+ Power transmission, optional

Segment

Material	Aluminium, extruded
----------	---------------------

Wall connection profile, optional

- Wall connection profile with small rain hood
- Wall connection profile with large rain hood

 [Technical data patio awnings](#)

Console

Wall console model A - K55

Material	Aluminium, extruded
Width	72 mm
Height	123 mm
Depth	94 mm

Wall console model A, reinforced - K55

Material	Steel
Width	255 mm
Height	125 mm
Depth	114 mm

Wall console model A with compact mounting plate (steel)

The console and mounting plate are largely concealed behind the awning.

Wall console model C - K55

Material	Steel
Width	210 mm
Height	285 mm
Depth	104 mm

Wall console model A with small mounting plate (steel)

Wall console model D - K55

Material	Steel
Width	330 mm
Height	285 mm
Depth	104 mm

Wall console model A with large mounting plate (steel)

Ceiling console model E - K50/K55

Material	Aluminium
Surface	Powder-coated
Width	72 mm
Height	114 mm
Depth	182 mm

Ceiling console model E, reinforced - K55

Material	Steel
Width	255 mm
Height	134 mm
Depth	182 mm

Ceiling console model E with compact mounting plate (steel)

The console and mounting plate are largely concealed behind the awning.

Console for rafters model F - K50/K55

Material	Aluminium
Surface	Powder-coated
Width	72 mm
Height	344 mm
Depth	182 mm

Drive variants

- Motor

Motor

- Orea WT

Radio motor, optional

- WMS-MM (WMS)
- W-MM (EWFS)

 [Technical data patio awnings](#)

Colours

- WAREMA Colour World

 [Technical data patio awnings](#)

Fabric qualities

- Acrylic fabric
- Fabric qualities, optional:
 - All Weather acrylic
 - Starlight Blue
 - Soltis 92
 - Twilight Pearl

[Technical data patio awnings](#)

Supplementary accessories

- WMS Wind sensor
- Valance roller blind with crank
- Integrated lighting
- Radiant heater
- Free-standing awning frame
- Fabric lettering, painted

see "Supplementary accessories", Page 17

[Technical data patio awnings](#)

Construction limit values

The specified construction limit values and number of consoles refer to the concrete substructure C20/25 (B25) and installation on rafters.

Configuration variants	Projection	1500 mm	2000 mm	2500 mm	3000 mm	3500 mm
Fabric qualities + Drives						
Acrylic fabric / Starlight Blue / Twilight Pearl + Motor	Minimum order width	1790 mm	2310 mm	2810 mm	3320 mm	3830 mm
	Maximum order width	6000 mm	6000 mm	6000 mm	6000 mm	5500 mm
Soltis 92 + Motor	Minimum order width	1790 mm	2310 mm	2810 mm		
	Maximum order width	5500 mm	5500 mm	5500 mm		
Fabric qualities + Drives + Radio systems						
Acrylic fabric / Starlight Blue / Twilight Pearl + Motor + WMS Wind sensor	Minimum order width	1860 mm	2380 mm	2880 mm	3390 mm	3900 mm
	Maximum order width	6000 mm	6000 mm	6000 mm	6000 mm	5500 mm
Soltis 92 + Motor + WMS Wind sensor	Minimum order width	1860 mm	2380 mm	2880 mm		
	Maximum order width	5500 mm	5500 mm	5500 mm		
Fabric qualities + Drives + Supplementary accessories						
Acrylic fabric / Starlight Blue / Twilight Pearl + Motor + Valance roller blind	Minimum order width	1790 mm	2310 mm	2810 mm	3320 mm	
	Maximum order width	6000 mm	6000 mm	6000 mm	5000 mm	
Soltis 92 + Motor + Valance roller blind	Minimum order width	1790 mm	2310 mm	2810 mm		
	Maximum order width	5500 mm	5500 mm	5500 mm		
Fabric qualities + Drives + Supplementary accessories + Radio systems						
Acrylic fabric / Starlight Blue / Twilight Pearl + Motor + Valance roller blind + WMS Wind sensor	Minimum order width	1860 mm	2380 mm	2880 mm	3390 mm	
	Maximum order width	6000 mm	6000 mm	6000 mm	5000 mm	
Soltis 92 + Motor + Valance roller blind + WMS Wind sensor	Minimum order width	1860 mm	2380 mm	2880 mm		
	Maximum order width	5500 mm	5500 mm	5500 mm		

Dimensions

Weight per running metre: 17,5 - 20 kg/lfm

Weight per running metre, notes: Without consoles, depending on fitted equipment

Inclination

Inclination angle: 5 - 35 °

Inclination angle, standard: 10 °

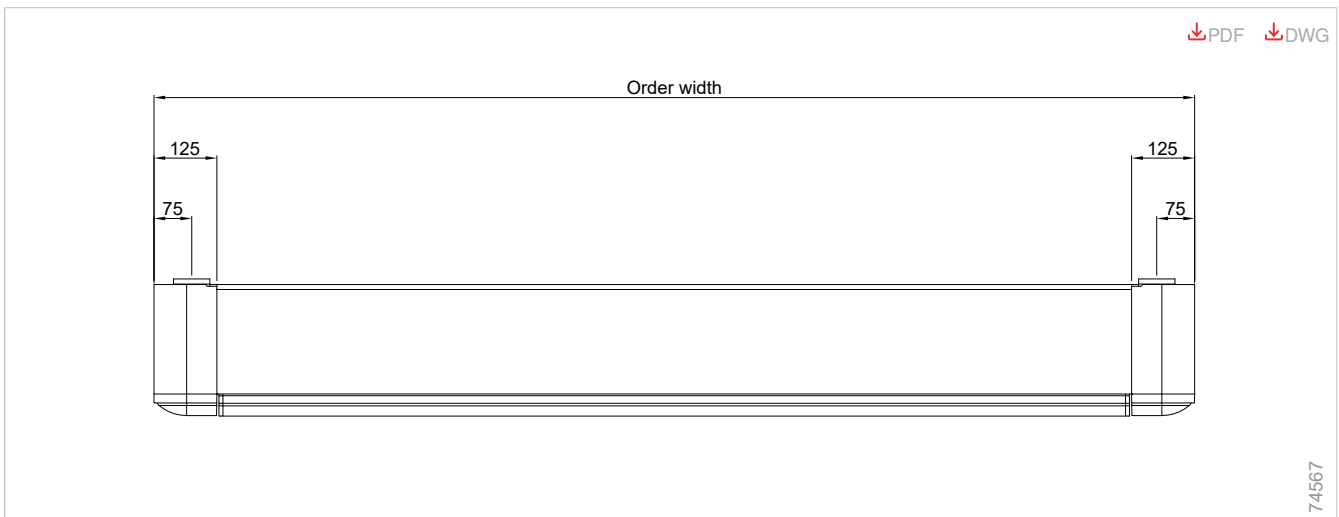
Inclination angle for rain class 2: 14 - 35 °

- Fine adjustment of inclination angle during installation.
- Basic inclination depending on building size and model, tolerance $\pm 5^\circ$.

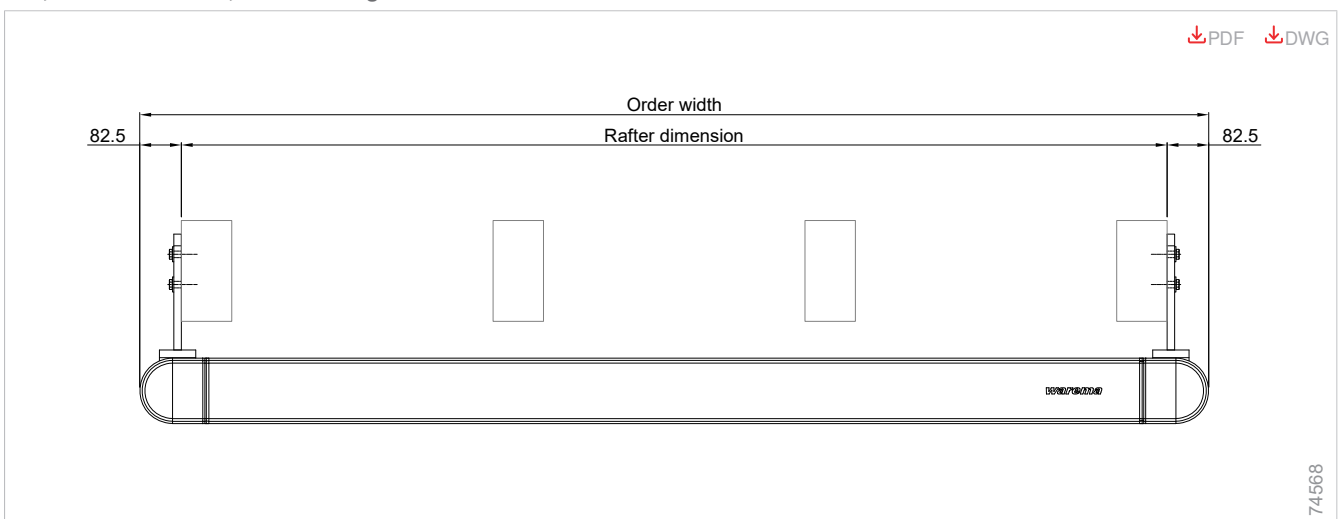
Dimension determination

The **projection** is defined from the back edge of the console to the leading edge of the front rail, measured across the inclination angle of the fabric.

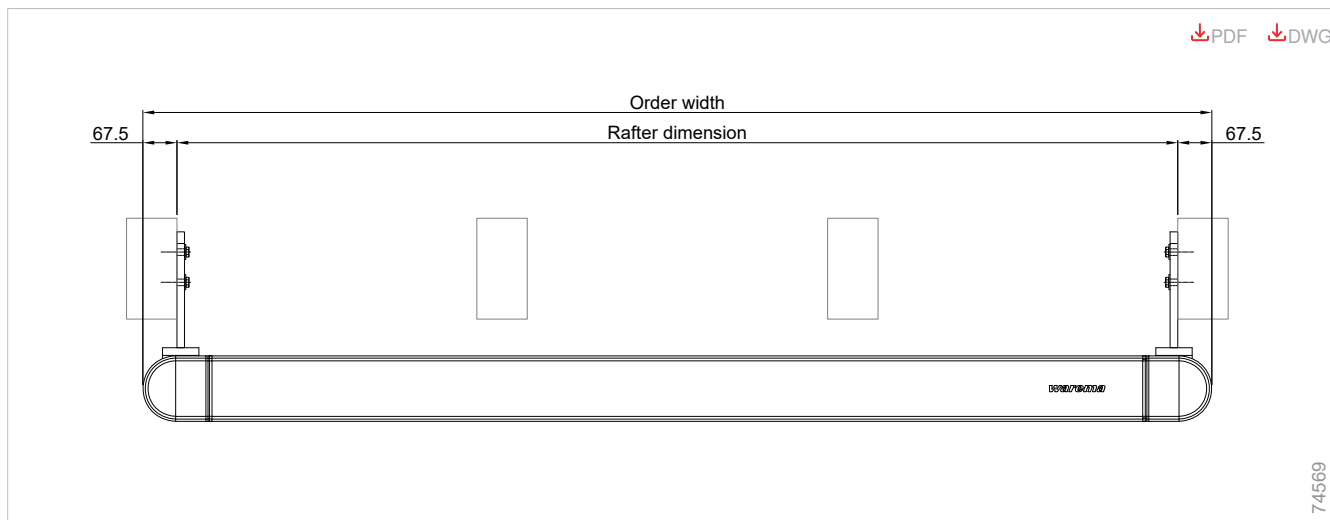
K55, wall/ceiling installation



K55, rafter installation, outside fixing



K55, rafter installation, inside fixing



Quantity determination

Number of consoles, individual unit

Configuration variants	Order width	Projection				
		1500 mm	2000 mm	2500 mm	3000 mm	3500 mm
Console/Bracket						
Wall console / Ceiling console / Console for rafters	0 - 5500 mm	2	2	2	2	2
Wall console / Ceiling console / Console for rafters	5501 - 6000 mm	2	2	2	2	
Console/Bracket + Supplementary accessories						
Wall console / Ceiling console / Console for rafters + Valance roller blind	0 - 5000 mm	2	2	2	2	
Wall console / Ceiling console / Console for rafters + Valance roller blind	5001 - 6000 mm	2	2	2		

Number of consoles in relation to the concrete substructure C20/25 (B25) and installation on rafters.

Attention:

For the following sizes, an additional mounting plate is required for wall installation:

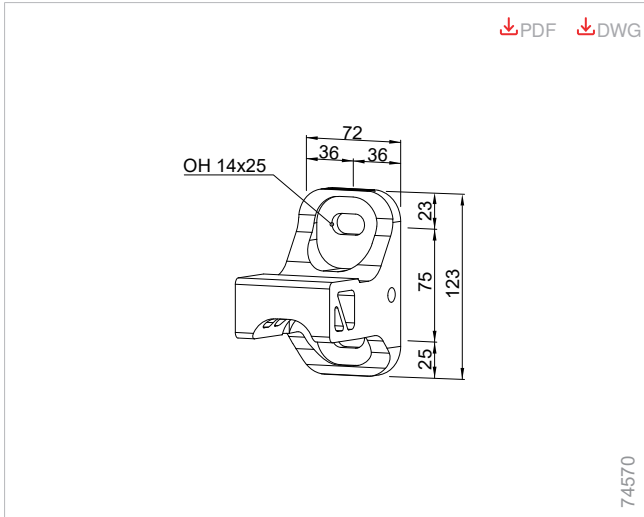
- 3500 mm projection from an order width of 3820 mm
- 3000 mm projection from an order width of 4501 mm
- With valance roller blind, 3000 mm projection from an order width of 3501 mm
- With valance roller blind, 2500 mm projection from an order width of 5001 mm

For the following sizes, an additional mounting plate is required for ceiling installation:

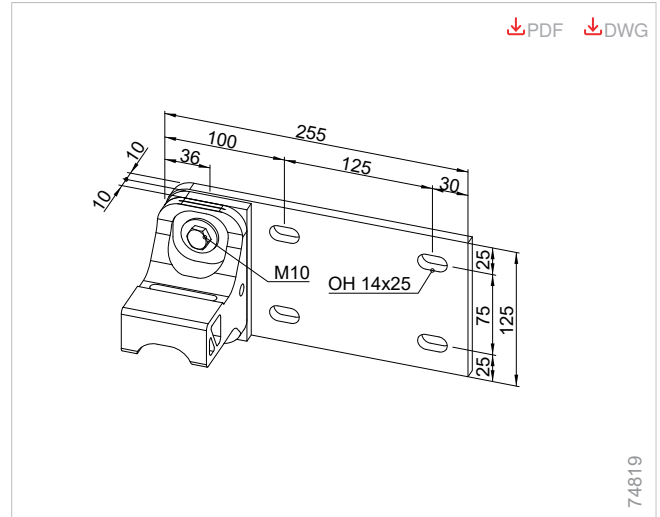
- 3500 mm projection from an order width of 4501 mm
- 3000 mm projection from an order width of 5501 mm

Details

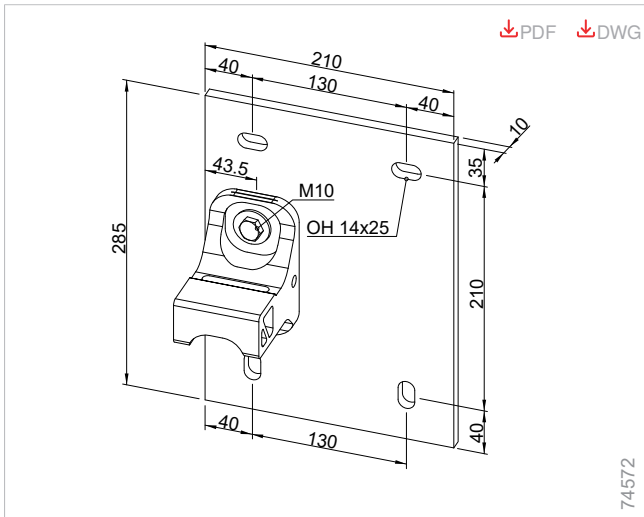
K55, wall console type A



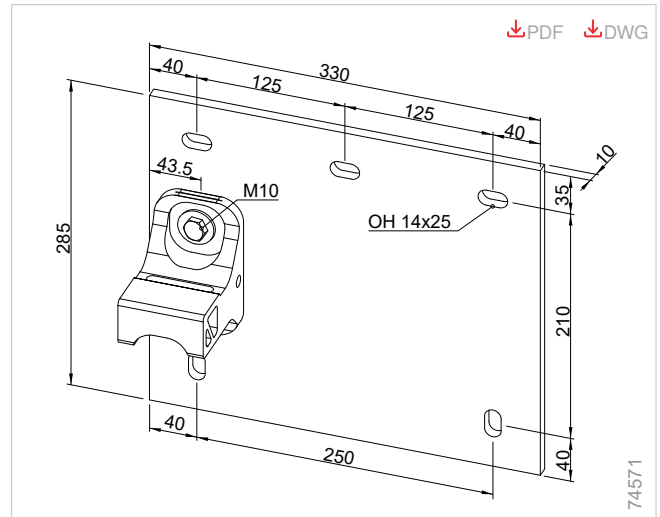
K55, wall console type A, reinforced



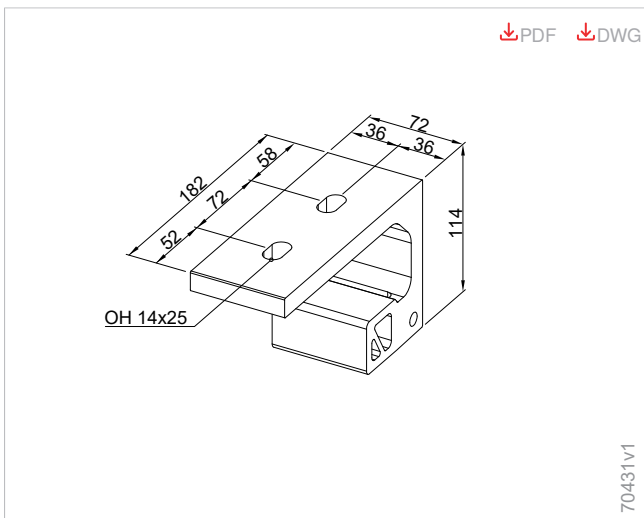
K55, wall console type C, mounting plate



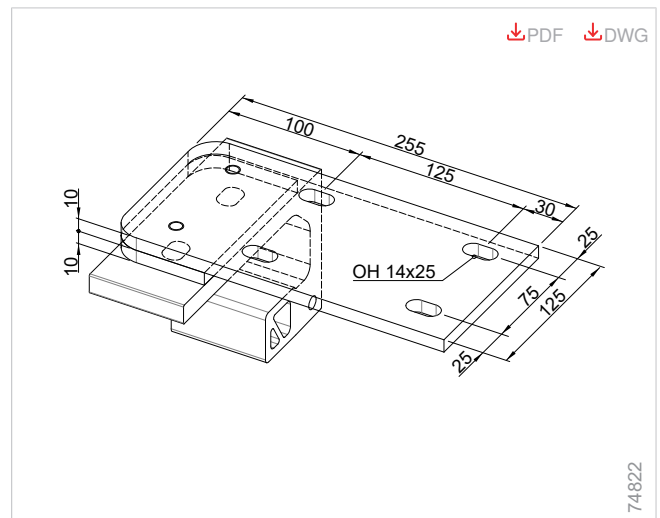
K55, wall console type D, mounting plate



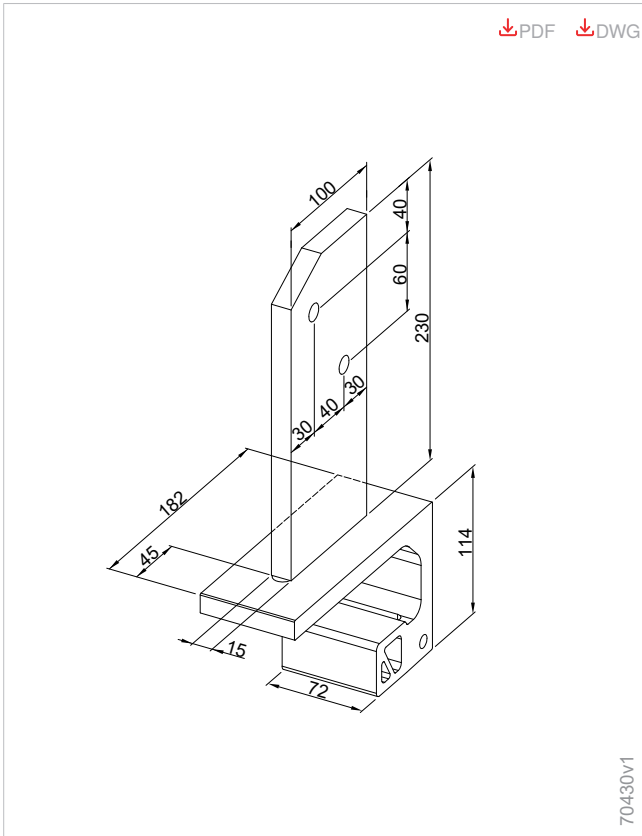
K50/K55, ceiling console type E



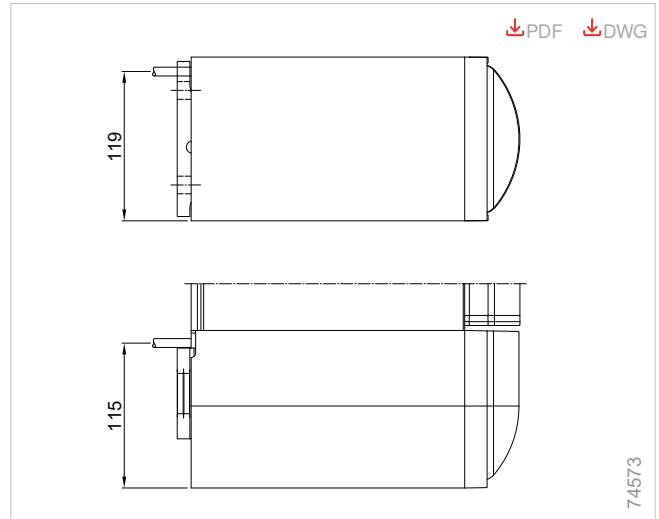
K55, ceiling console type E, reinforced



K50/K55, console for rafters type F

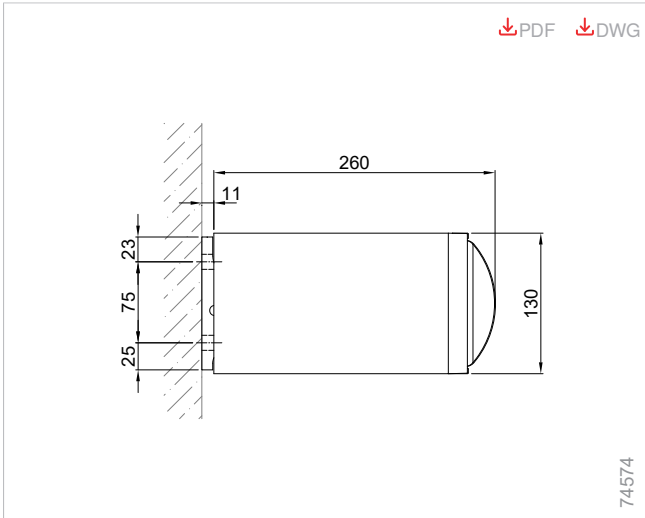


K55, cable exit

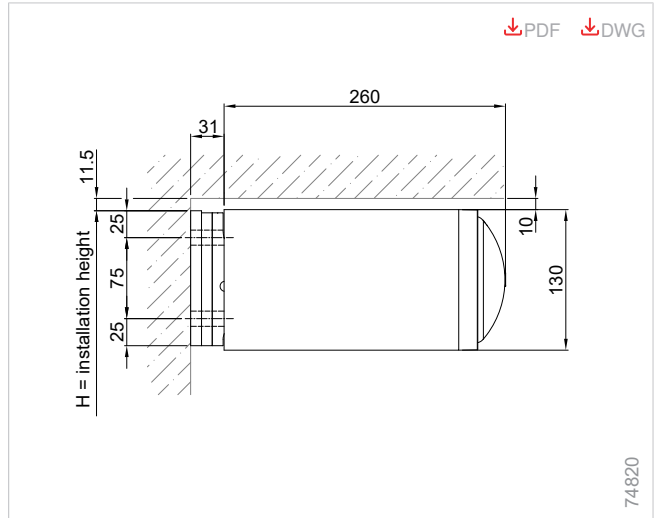


Mounting examples

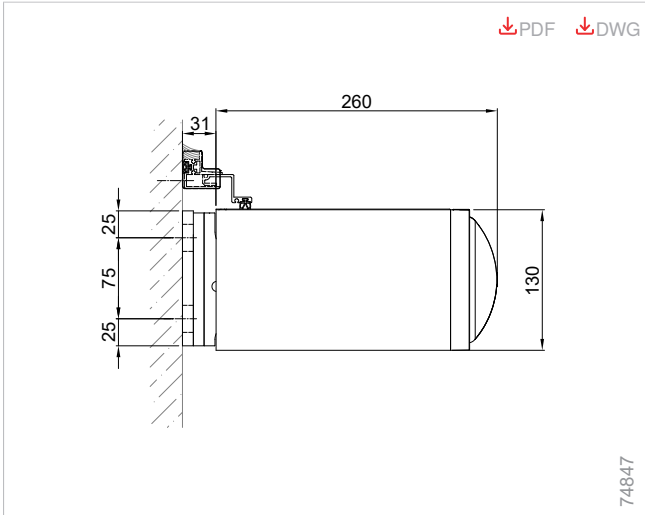
K55, wall installation



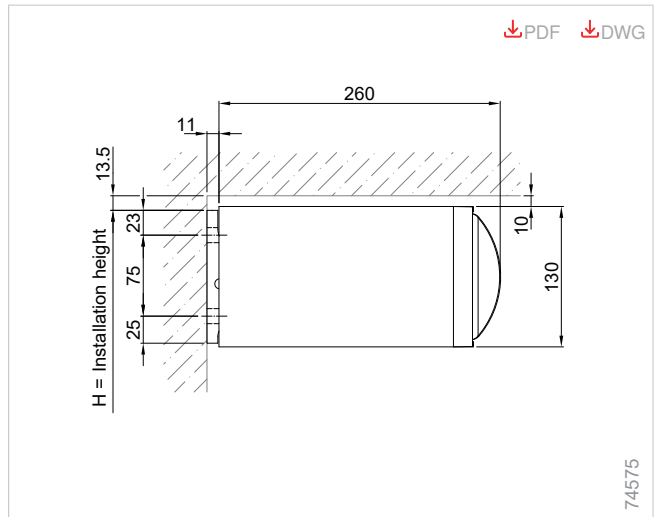
K55, wall installation with mounting plate, compact



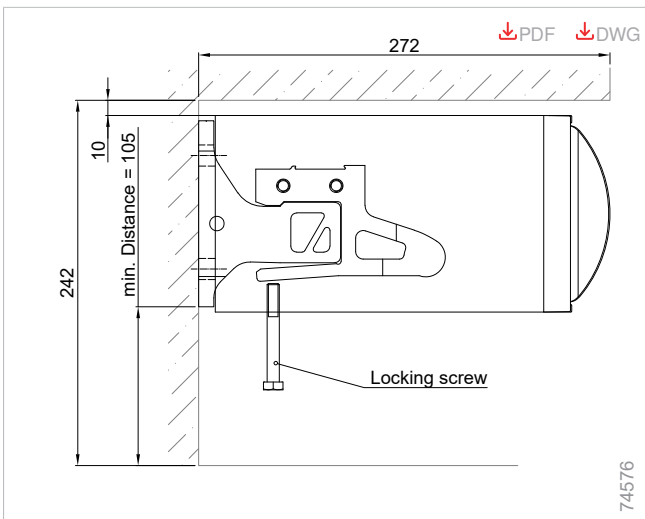
K55, wall installation with mounting plate, compact, wall connection profile with small rain hood



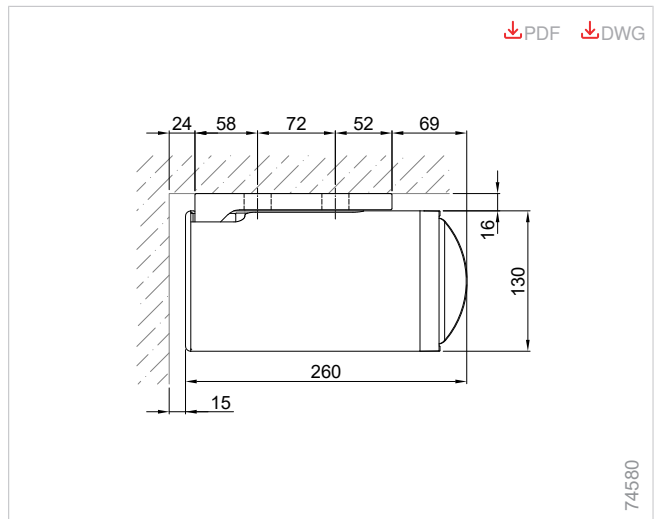
K55, under eaves



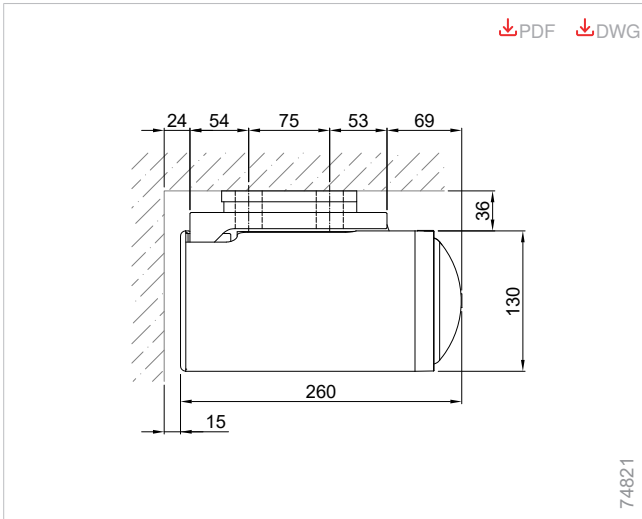
K55, shaft installation



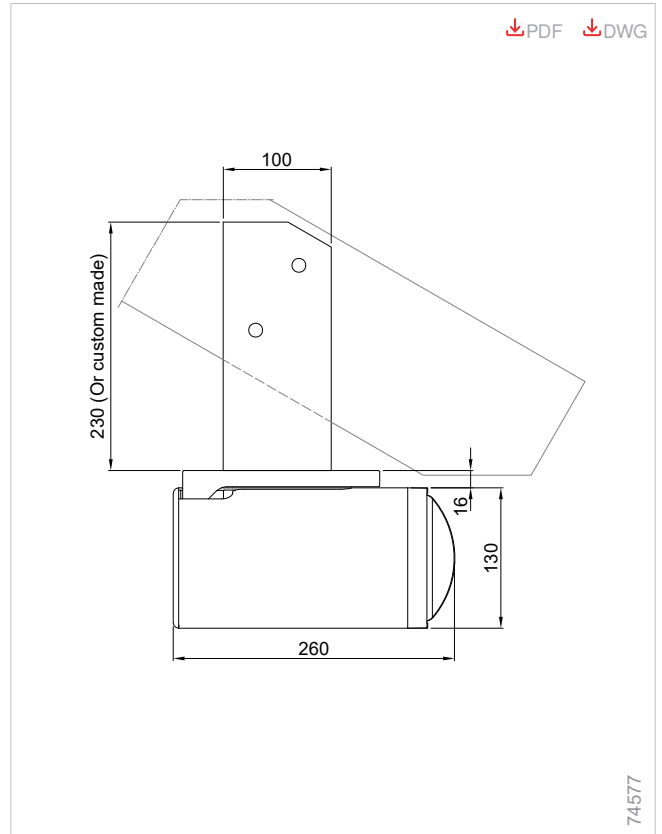
K55, ceiling installation



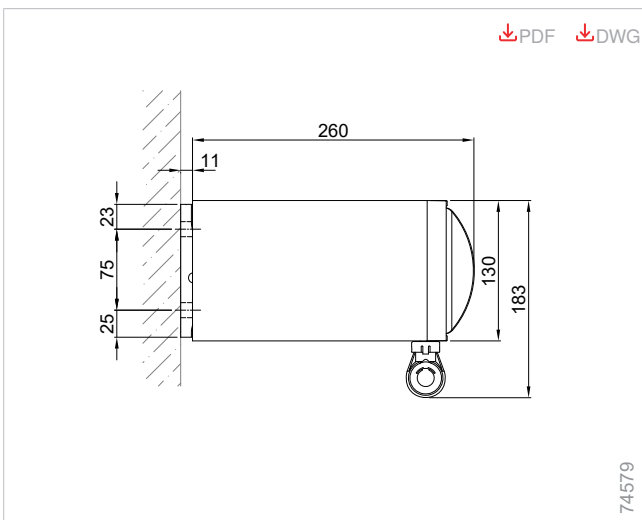
K55, ceiling installation with mounting plate, compact



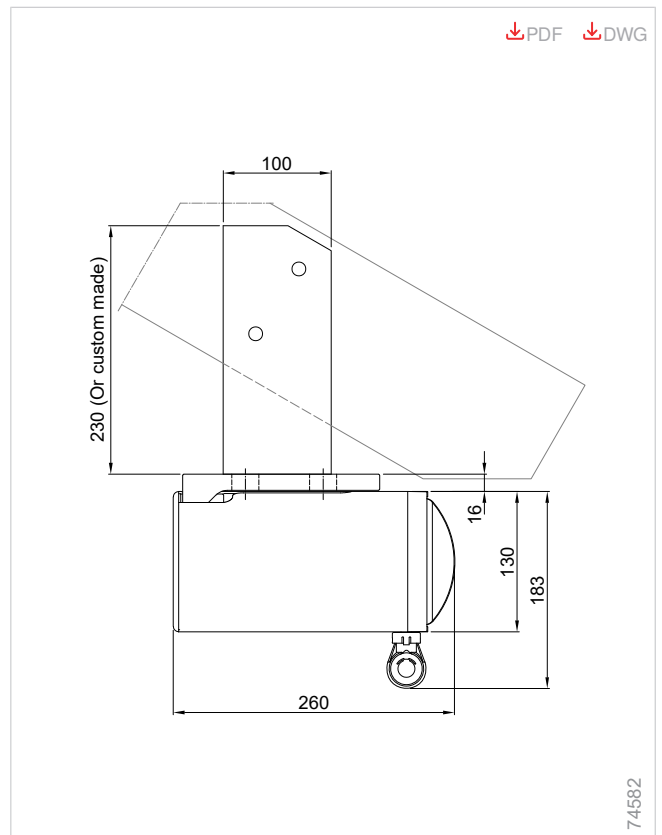
K55, rafter installation



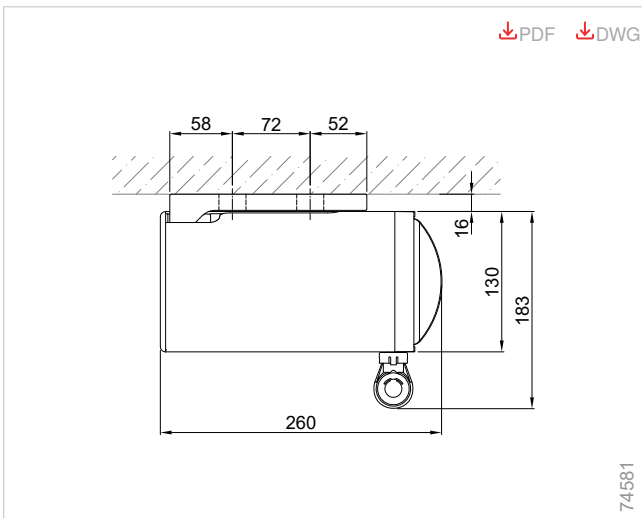
K55, wall installation, valance roller blind



K55, rafter installation, valance roller blind



K55, ceiling installation, valance roller blind



Contents

Supplementary accessories

Lighting.....	18
Valance roller blind.....	22



Supplementary accessories

Lighting

Dimmable

For individual lighting moods: the WMS dimmer adjusts the LED strips to your desired brightness in ten steps.

Smart

Wireless operation plus automation: the lighting can be switched on and off and dimmed using a hand-held transmitter or app, and a preferred brightness level can be conveniently saved.

Continuous

Impressive atmosphere: LEDs provide seamless, warm white light without any distracting light spots.



Can be used for:

- Articulated arm and cassette awnings Terrea

Product characteristics

- Integrated lighting in the base profile, meaning it can also be used when retracted
- Available in the cassette for indirect lighting

Integrated lighting

Can be used for:

- Terrea 580
- Terrea K50
- Terrea K55
- Terrea K60
- Terrea K70
- Terrea G60
- Terrea H60

Set

Lens - LED strips

LED strip

Operating voltage	24 V DC
Total power of light	400 running metre per metre, 4.8 W/m
Degree of protection	IP 67
Durability	Approx. 10000 operating hours
Colour temperature	3000 K

Power supply unit - LED strips

Degree of protection	IP 54
----------------------	-------

Product characteristics

Operation	Optionally with switch (external power supply unit) or WMS transmitter with WMS dimmer (integrated)
Attachment	G60/H60/K60: Front rail 580/K50: Cassette direct K55: Cassette indirect, cassette direct, cassette direct and indirect K70: Cassette indirect, projection profile, cassette indirect and projection profile

Notes

Connection type: In the case of delivery without radio control on-site, in the case of delivery with WMS Dimmer already connected.

Unlit area: The LED strips are assembled in increments of 50 mm. This can lead to an unlit area:

- **Articulated arm and cassette awnings:** Max. 25 mm per side

Integrated lighting not possible in combination with awning crank operation.

Additional product information

Connection when supplied with WMS Dimmer

Connecting line:

- No external power distributor required
- Only one visible connecting line
- Depending on the equipment/model, it can be positioned on the drive end or the non-drive end.

The precise installation of the control and drive is indicated by labels on the bearing tube or in the side cover of the cassette/cover panel.

Position of integrated LED strips

Integrated lighting indirect/direct - Terrea K55



Integrated lighting indirect - Terrea K55



Integrated lighting direct - Terrea K55





Supplementary accessories

Valance roller blind

Glare-free

Less glare from low-lying sun: This means even patios and balconies facing south west can become a sheltered retreat.

Protected

More privacy: The additional visual privacy protects you from prying eyes from outside.

Can be used for:

- Articulated arm and cassette awnings Terrea



Product characteristics

- Additional vertical visual privacy and sun shading
- Fabric qualities like Twilight Pearl offer a view to the outside at the same time.

Valance roller blind with crank

Can be used for:

- Terrea 580
- Terrea K50
- Terrea K55
- Terrea K60
- Terrea K70
- Terrea G60
- Terrea H60

Components

Shaft

Fabric shaft Ø 35 mm

Material	Aluminium, extruded
Surface	Plain
Profile	Groove tube
Diameter	35 mm

Drive variants

- Crank

Crank

- Crank with ball hook

Gear

- Screw gear with spindle lock

[Technical data patio awnings](#)

Construction limit values

Configuration variants	Products	K55
Fabric qualities		
Acrylic plain coloured / Starlight Blue - Unicoloured	Maximum order height	1800 mm
Screen fabric 4 % / 5 %	Maximum order height	1400 mm
Twilight Pearl	Maximum order height	2000 mm
Fabric qualities + Fabric processing		
Acrylic fabric - strips / Starlight Blue - Stripes + Sewing / Gluing (overlapping)	Maximum order height	1000 mm
Acrylic fabric - strips / Starlight Blue - Stripes + UltraSeam™	Maximum order height	1800 mm

Maximum projection:

- K55: 3000 mm

Fabric qualities

- Acrylic fabric

Fabric qualities, optional:

- Starlight Blue
- Screen fabric 4 % / 5 %
- Twilight Pearl

[Technical data patio awnings](#)

Notes

Notes on operation

Valance roller blinds with crank operation must be retracted before closing the awning as otherwise there may be a danger of damage to the fabric and front rail. This applies especially when using the combination of a wind control and a valance roller blind with crank.

≡/2025

Experience our showrooms:

www.warema.com/experience

WAREMA Renkhoff SE

Hans-Wilhelm-Renkhoff-Str. 2
97828 Marktheidenfeld • Germany

On behalf of the following national companies:

www.warema.com/country



21156976/11.2025_enINT

Product-specific illustrations
and information may vary due to
structural conditions or technical
requirements. Printing errors
and deviations from the figures
reserved.